

Department of Rehabilitation Recommended Modifications to the Polling Place Accessibility Guidelines

The following items are the recommended modifications to the Polling Place Accessibility Guidelines (2013):

1. Page 12 (Parking)
 - Paragraph two: Remove “in front of” and add “adjacent to”.
2. Page 14 (Path of Travel to Polling Place)
 - a) Bottom of paragraph two; replace CCR, Section 11B-403.5.1.3 of the Guidelines with corrected citation Section 11B-403.5.1, Exception 3.
 - b) Add verbiage to include Exception 1.
3. Page 25 (Signage)
 - Include a clarifying statement on when ISAs are not required at entrances.
4. Page 28 (Ramps, Curb-Ramps and Slopes)
 - Replace CCR, Section 11B-505.5.10.1 with CCR, Section 11B-505.10.1.
5. Page 29 (Ramps, Curb-Ramps and Slopes)
 - Remove paragraph with citation CCR, Section 11B-406.5.11, as Curb-ramp section has been removed in Title 24.
6. Page 30 (Ramps, Curb-Ramps and Slopes)
 - a. Replace CCR, Section 11B-406.5.2 of the Guidelines with corrected citation CCR, Section 11B-406.2.1.
 - b. Add the following citation after sentence reading: “To rest at the top of the slope also means the top landing shall be level.” (CCR, Section 11B-406.5.3).
 - c. Replace CCR, Section 11B-406.5.8 of the Guidelines with corrected citation CCR, Section 11B-406.5.9.
 - d. Replace CCR, Section 11B-406.5.9 of the Guidelines with corrected citation of CCR, Section 11B-406.5.8.

7. Page 35 (Elevators and Lifts)
 - o Paragraph three change verbiage of handrail to support rail. CCR, Section 11B-407.4.10.

8. Page 37 (Restrooms)
 - a) Add verbiage to third paragraph: When all restrooms are not accessible, the accessible restrooms shall be identified by an ISA. (CCR, Section 11B-216.8
 - b) Add verbiage to fourth paragraph: The first set of signs with braille and tactile characters are only required when restrooms are identified with visual signs, and
 - c) Remove "Have an ISA", and Citation 11B-703.7.2.6.
 - d) Change opening sentence to make clear that not all restrooms on Election Day need to be accessible as long as a required number of restrooms are made available.

The Polling Place Accessibility Guidelines recommended modifications are set forth as follows:

1. Page 12 (Parking)

Reword paragraph two to read: Accessible parking signage shall be mounted on a pole or wall near or next to the space at a minimum of 60 inches above the finish floor or ground surface measured to the bottom of the lowest sign.

Accessible parking signage shall be mounted on a pole or wall **at the front** of the space at a minimum of 60 inches above the finish floor or ground surface measured to the bottom of the lowest sign.

11B-502.6.3 Location. A parking space identification sign shall be visible from each parking space. Signs shall be permanently posted either immediately **adjacent to the parking space** or within the projected parking space width at the head end of the parking space. Signs may also be permanently posted on a wall at the interior end of the parking space.



2a. Page 14 (Path of Travel to Polling Place)

Bottom of paragraph two, replace CCR, Section 11B-403.5.1.3 of the Guidelines with corrected citation Section 11B-403.5.1, Exception 3.

Sidewalks or other walkways shall be at least 48 inches wide. An exception to the 48 inches clear width is allowed when, due to right-of-way restrictions, natural barriers or other existing conditions, the enforcing agency determines that compliance with the 48- inch clear sidewalk width would create an unreasonable hardship. Only in these cases may the clear width narrow to 36 inches wide. **(CCR, Section 11B-403.5.1.3.)**

11B-403.5.1 Clear width. Except as provided in Sections 11B-403.5.2 and 11B-403.5.3, the clear width of walking surfaces shall be 36 inches (914 mm) minimum.

3. *The clear width for sidewalks and walks shall be 48 inches (1219 mm) minimum. When, because of right-of-way restrictions, natural barriers or other existing conditions, the enforcing agency determines that compliance with the 48-inch (1219 mm) clear sidewalk width would create an unreasonable hardship, the clear width may be reduced to 36 inches (914 mm).*



2b. Page 14 (Path of Travel to Polling Place)

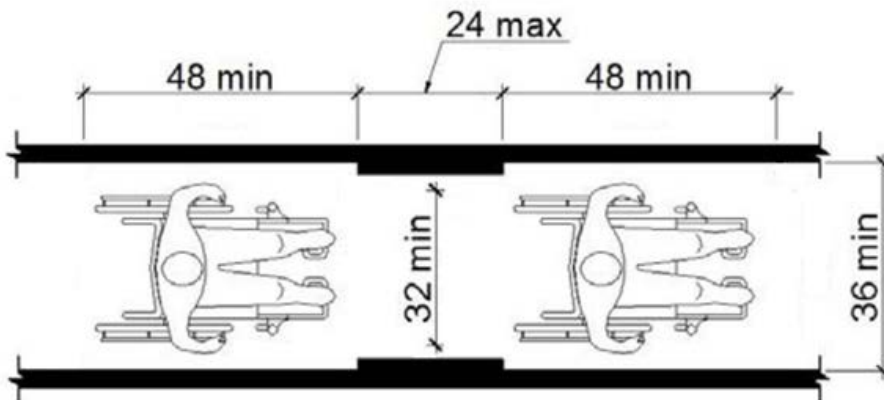
Add verbiage to include Exception 1.

The clear width may be as narrow as 32 inches for a length of 24 inches if there is a 36 inch by 48 inch clear space before and after the narrow 32 inch segment. See Figure XX (CCR, Section 11B-403.5.1, Exception 1).

11B-403.5.1 Clear width. Except as provided in *Sections 11B-403.5.2 and 11B-403.5.3*, the clear width of walking surfaces shall be 36 inches (914 mm) minimum.

Exceptions:

1. The clear width shall be permitted to be reduced to 32 inches (813 mm) minimum for a length of 24 inches (610 mm) maximum provided that reduced width segments are separated by segments that are 48 inches (1219 mm) long minimum and 36 inches (914 mm) wide minimum.



3. Page 25 (Signage)

Include a clarifying statement on when ISAs are not required at entrances.

When all entrances to a building at a polling place are not accessible, an ISA shall be placed at the accessible entrances leading to the voting area. ISA's are not required if all building entrances leading to the voting area are accessible. (CCR, Section 11B-216.6.) Entrances which are not accessible on Election Day shall have directional signage that indicates the route to the nearest accessible entrance. Directional signs must be placed at the inaccessible entrance or at the junction where the accessible route diverges from the non accessible route. (CCR, Section 11B-216.6.) Directional signs shall have contrasting colors and non-glare finish (CCR, Sections 11B-216.6 and 11B-703.5.1.) Directional and informational signs do not require raised letters and Braille. See Figure 18.

11B-216.6 Entrances. *In existing buildings and facilities where not all entrances comply with Section 11B-404, entrances complying with Section 11B-404 shall be identified by the International Symbol of Accessibility complying with Section 11B-703.7.2.1. Directional signs complying with Section 11B-703.5 that indicate the location of the nearest entrance complying with Section 11B-404 shall be provided at entrances that do not comply with Section 11B-404. Directional signs complying with Section 11B-703.5, including the International Symbol of Accessibility complying with Section 11B-703.7.2.1, indicating the accessible route to the nearest accessible entrance shall be provided at junctions when the accessible route diverges from the regular circulation path.*

4. Page 28 (Ramps, Curb-Ramps and Slopes)

Replace CCR, Section 11B-505.5.10.1 with CCR, Section 11B-505.10.1.

By extending the handrail 12 inches past the slope of the ramp, voters with balance difficulties will be on a level surface when they release their grip on the handrail. (CCR, Section 11B-505.5.10.1.)

11B-505.10.1 Top and bottom extension at ramps. Ramp handrails shall extend horizontally above the landing for 12 inches (305 mm) minimum beyond the top and bottom of ramp runs. Extensions shall return to a wall, guard, or the landing surface, or shall be continuous to the handrail of an adjacent ramp run.

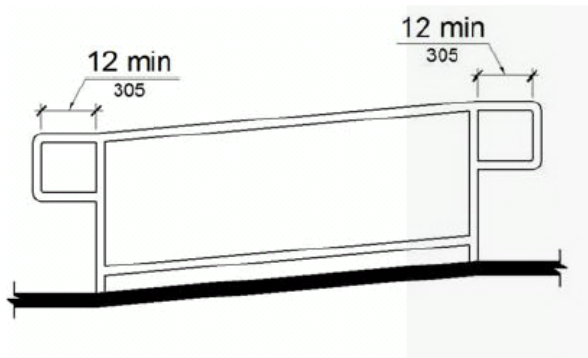
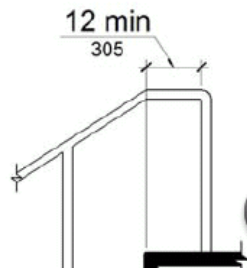


FIGURE 11B-505.10.1
TOP AND BOTTOM HANDRAIL EXTENSION AT RAMPS


11B-505.10.2 Top extension at stairs. At the top of a stair flight, handrails shall extend horizontally above the landing for 12 inches (305 mm) minimum beginning directly above the first riser nosing. Extensions shall return to a wall, guard, or the landing surface, or shall be continuous to the handrail of an adjacent stair flight.



5. Page 29 (Ramps, Curb-Ramps and Slopes)

Remove paragraph with citation CCR, Section 11B-406.5.11, as Curb-ramp section has been removed in Title 24.CCR, Section 11B-406.5.11 effective July 1, 2015.

Curb-ramps are distinguished from ramps by a 12 inch wide grooved border cut into the walkway surface along the top and sides of the sloping surface. (CCR, Section 11B-406.5.11.) See Figure 23.

 *11B-406.5.11 Grooved border. Curb ramps shall have a grooved border 12 inches (305 mm) wide along the top of the curb ramp at the level surface of the top landing and at the outside edges of the flared sides. The grooved border shall consist of a series of grooves $\frac{1}{4}$ inch (6.4 mm) wide by $\frac{1}{4}$ inch (6.4 mm) deep, at $\frac{3}{4}$ inch (19 mm) on center.*

Exceptions:

- 1. At parallel curb ramps, the grooved border shall be on the upper approach immediately adjacent to the curb ramp across the full width of the curb ramp.*
- 2. A grooved border shall not be required at blended transitions.*

6(a). Page 30 (Ramps, Curb-Ramps and Slopes)

Replace CCR, Section 11B-406.5.2 of the Guidelines with corrected citation CCR, Section 11B-406.2.1.

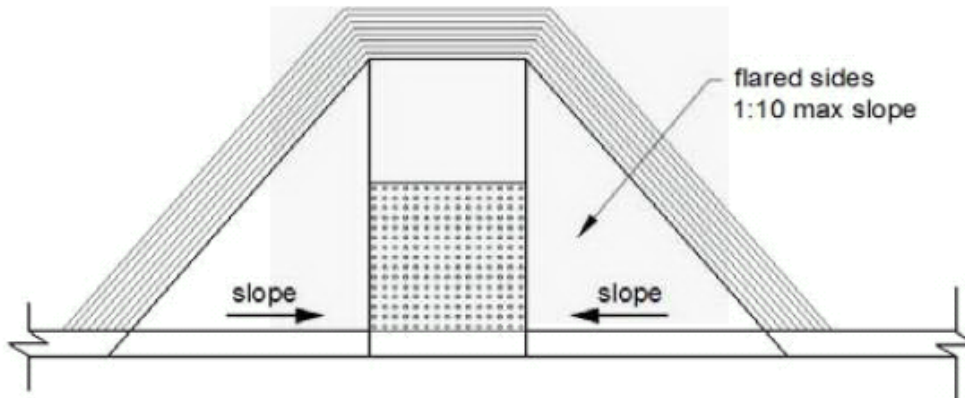
Similar to ramps, the maximum slope of a curb-ramp shall be 8.33 percent and the width shall be at least 48 inches. (CCR, Section 11B-406.5.2.)

11B-406.2 Perpendicular curb ramps. Perpendicular curb ramps shall comply with Sections 11B-406.2 and 11B-406.5.

11B-406.2.1 Slope. Ramp runs shall have a running slope not steeper than 1:12.



11B-406.2.2 Sides of curb ramps. Where provided, curb ramp flares shall not be steeper than 1:10.



**FIGURE 11B-406.2.2
SIDES OF CURB RAMPS**

11B-406.3 Parallel curb ramps. Parallel curb ramps shall comply with Sections 11B-406.3 and 11B-406.5.

11B-406.3.1 Slope. The running slope of the curb ramp segments shall be in-line with the direction of sidewalk travel. Ramp runs shall have a running slope not steeper than 1:12.



6(b). Page 30 (Ramps, Curb-Ramps and Slopes)

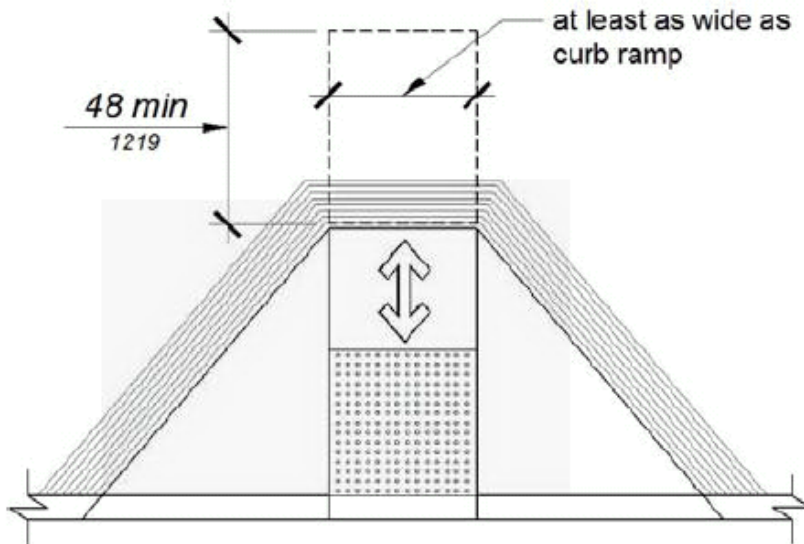
Add the following citation after sentence reading: “To rest at the top of the slope also means the top landing shall be level.” (CCR, Section 11B-406.5.3)

The top landing of a curb-ramp shall be a minimum of 48 inches long to provide a resting place for someone who has just traveled up the curb ramp slope. To rest at the top of the slope also means the top landing shall be level *(Insert citation here)*.



11B-406.5.3 Landings. Landings shall be provided at the tops of curb ramps and blended transitions. The landing clear length shall be 48 inches (1219 mm) minimum. The landing clear width shall be at least as wide as the curb ramp, excluding any flared sides, or the blended transition leading to the landing. The slope of the landing in all directions shall be 1:48 maximum.

Exception: Parallel curb ramps shall not be required to comply with Section 11B-406.5.3.



**FIGURE 11B-406.5.3
LANDINGS AT THE TOP OF CURB RAMPS**

50 / 112 11B-406.5.3 Floor or ground surfaces. Floor or ground surfaces of curb ramps and blended transitions shall com-

6(c). Page 30 (Ramps, Curb-Ramps and Slopes)

Replace CCR, Section 11B-406.5.8 of the Guidelines with corrected citation CCR, Section 11B-406.5.9.

The bottom landing shall also be at least 48 inches long. (CCR, Section 11B-406.5.8.)

11B-406.5.9 Clear space at diagonal curb ramps. The bottom of diagonal curb ramps shall have a clear space 48 inches (1219 mm) minimum outside active traffic lanes of the roadway. Diagonal curb ramps provided at marked crossings shall provide the 48 inches (1219 mm) minimum clear space within the markings.

11B-406.5.10 Diagonal curb ramps. Diagonal or corner type curb ramps with returned curbs or other well-defined edges shall have the edges parallel to the direction of pedestrian flow. Diagonal curb ramps with flared sides shall have a segment of curb 24 inches (610 mm) long minimum located on each side of the curb ramp and within the marked crossing.

11B-406.5.11 Grooved border. Curb ramps shall have a grooved border 12 inches (305 mm) wide along the top of the curb ramp at the level surface of the top landing and at the outside edges of the flared sides. The grooved border shall consist of a series of grooves 1/4 inch (6.4 mm) wide by 1/4 inch (6.4 mm) deep, at 3/4 inch (19 mm) on center.

Exceptions:

1. At parallel curb ramps, the grooved border shall be on the upper approach immediately adjacent to the curb ramp across the full width of the curb ramp.
2. A grooved border shall not be required at blended transitions.

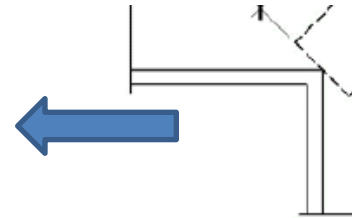


FIG
DIAGONAL OR

*11B-406.5.12 Detec blended transitions ,
plying with Section 1*

11B-406.6 Islands. Ra through level with the sides. The clear width c be 60 inches (1524 mn are provided, they shall ings complying with Se route shall be permitte able warnings complyi

11B-407 Elevators

11B-407.1 General. E 11B-407 and with ASM vators as classified by A be automatic.



6(d). Page 30 (Ramps, Curb-Ramps and Slopes)

Replace CCR, Section 11B-406.5.9 of the Guidelines with corrected citation of CCR, Section 11B-406.5.8.

The maximum slope allowed for the first 24 inches of the bottom landing shall be 5 percent or less. **(CCR, Section 11B-406.5.9.)**

mitted on the surface of ramp runs and turning spaces. Surface slopes that meet at grade breaks shall be flush.

11B-406.5.7 Cross slope. The cross slope of curb ramps and blended transitions shall be 1:48 maximum.

*transitions shall
106.5. shall have a run-*

*amps and blended
106.5.*

11B-406.5.8 Counter slope. Counter slopes of adjoining gutters and road surfaces immediately adjacent to and within 24 inches (610 mm) of the curb ramp shall not be steeper than 1:20. The adjacent surfaces at transitions at curb ramps to walks, gutters, and streets shall be at the same level.

2013 CALIFORNIA BUILDING CODE

(ALL RIGHTS RESERVED): accessed by INDIVIDUAL USE ONLY pursuant to License Agreement. No further reproductions authorized.



7. Page 35 (Elevators and Lifts)

Paragraph three change verbiage of handrails to support rails. (CCR, Section 11B-407.4.10)

In every elevator, a smooth **handrail** is required on one wall of the car. The **handrail** shall be positioned 31 inches to 33 inches above the elevator floor when measured to the top of the **handrail**. **Handrails** shall have a gap of at least 1 ½ inches between the **handrail** and the wall. (CCR, Section 11B-407.4.10.)


11B-407.4.10 Support rail. Support rails shall be provided on at least one wall of the car.



8(a). Page 37 (Bathrooms)

Add verbiage to third paragraph: When all restrooms are not accessible, the accessible restrooms shall be identified by an ISA. (CCR, Section 11B-216.8)

When restrooms are available to voters on Election Day, they shall be on an accessible path of travel. (CCR, Section 11B-403.)



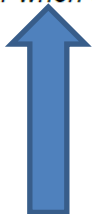
11B-216.8 Toilet rooms and bathing rooms. *Entrances to toilet rooms and bathing rooms shall be identified by a geometric symbol complying with Section 11B-703.7.2.6. Where existing toilet rooms or bathing rooms do not comply with Section 11B-603, directional signs indicating the location of the nearest toilet room or bathing room complying with Section 11B-603 within the facility shall be provided. Signs shall comply with Section 11B-703.5 and shall include the International Symbol of Accessibility complying with Section 11B-703.7.2.1. Where existing toilet rooms or bathing rooms do not comply with Section 11B-603, the toilet rooms or bathing rooms complying with Section 11B-603 shall be identified by the International Symbol of Accessibility complying with Section 11B-703.7.2.1. Where clustered single user toilet rooms or bathing facilities are permitted to use exceptions to Section 11B-213.2, toilet rooms or bathing facilities complying with Section 11B-603 shall be identified by the International Symbol of Accessibility complying with Section 11B-703.7.2.1 unless all toilet rooms and bathing facilities comply with Section 11B-603. Existing buildings that have been remodeled to provide specific toilet rooms or bathing rooms for public use that comply with these building standards shall have the location of and the directions to these rooms posted in or near the building lobby or entrance on a sign complying with Section 11B-703.5, including the International Symbol of Accessibility complying with Section 11B-703.7.2.1.*

8(b.) Page 37 (Bathrooms)

Revise verbiage beginning of fourth paragraph: There are two sets of restroom signs surveyors may find at the entrance of every restroom. The first set of signs with Braille and tactile characters are only required when restrooms are identified with visual signs. These signs, located....

There are two sets of restroom signs required at the entrance of every restroom. The first set of signs, located on the latch side, or strike side edge of the door, shall be placed so the lowest part of any Braille cell is 48 inches or higher above the floor and the bottom of any tactile letter is no more than 60 inches above the floor measured from the baseline of raised characters. (CCR, Sections 11B-703.4.1 and 11B-703.4.2.)

11B-703.4.2 Location. Where a tactile sign is provided at a door, the sign shall be located alongside the door at the latch side. Where a tactile sign is provided at double doors with one active leaf, the sign shall be located on the inactive leaf. Where a tactile sign is provided at double doors with two active leaves, the sign shall be located to the right of the right hand door. Where there is no wall space at the latch side of a single door or at the right side of double doors, signs shall be located on the nearest adjacent wall. Signs containing tactile characters shall be located so that a clear floor space of 18 inches (457 mm) minimum by 18 inches (457 mm) minimum, centered on the tactile characters, is provided beyond the arc of any door swing between the closed position and 45 degree open position. *Where provided, signs identifying permanent rooms and spaces shall be located at the entrance to, and outside of the room or space. Where provided, signs identifying exits shall be located at the exit door when approached in the direction of egress travel.*



8(c.) Page 37 (Bathrooms)

Remove “an ISA”, and Citation **11B-703.7.2.6**.

These signs, in contrasting colors, have an ISA, raised letters and Braille, and an optional pictogram to indicate whether the restroom is a Men's, Women's or Unisex, accessible restroom. (CCR, Sections 11B-703.5.1, 11B-213.2 and **11B-703.7.2.6**.) See Figure 30.

11B-703.7.2.6 Toilet and bathing facilities geometric symbols. *Doorways leading to toilet rooms and bathing rooms shall be identified by a geometric symbol complying with Section 11B-703.7.2.6. The symbol shall be mounted at 58 inches (1473 mm) minimum and 60 inches (1524 mm) maximum above the finish floor or ground surface measured from the centerline of the symbol. Where a door is provided the symbol shall be mounted within 1 inch (25 mm) of the vertical centerline of the door.*



8(d.) Page 37 (Bathrooms)

Change opening sentence to make clear that not all restrooms on Election Day need to be accessible as long as a required number of restrooms are made available:

In buildings that provide restrooms to the public on Election Day, those restrooms must be accessible, or if non-accessible restrooms are available, then atleast a single accessible unisex restroom must be provided and located in the same area and on the same floor as the inaccessible restrooms.

Current:

Not all restrooms or features of a building are open on Election Day. However, if there is a restroom available to voters on Election Day, the restroom shall be accessible.

Change:

Not all restrooms or features of a building are open on Election Day. However, if restrooms are available to voters on Election Day, at least one must be accessible.

11B-213.2 Toilet rooms and bathing rooms. Where toilet rooms are provided, each toilet room shall comply with *Section 11B-603*. Where bathing rooms are provided, each bathing room shall comply with *Section 11B-603*.

Exceptions:

1. In alterations where it is technically infeasible to comply with *Section 11B-603*, altering existing toilet or bathing rooms shall not be required where a single unisex toilet room or bathing room complying with *Section 11B-213.2.1* is provided and located in the same area and on the same floor as existing inaccessible toilet or bathing rooms.

